

Performance you can trust

SAPPHIRE® Autolube

Multi-purpose bearing grease in an automatic lubricator

Product Overview

The ROCOL® SAPPHIRE Autolube is an electromechanically operated automatic lubricator containing the high performance SAPPHIRE Advance 2.

SAPPHIRE Advance 2 high performance bearing grease is designed for the effective lubrication and protection of all types of ball, roller and plain bearings.

SAPPHIRE Advance 2 is a truly multi-purpose grease, fortified with PTFE, for an extensive range of applications particularly high speeds such as electric motors and fan bearings.

Features and Benefits

- Excellent extreme temperature resistance – ranging from -30°C to +160°C.
- Lithium complex soap technology and EP additives, including PTFE, provides an outstanding high load, EP performance of 560kg that is superior to standard soap thickened lubricants.
- SAPPHIRE Advance 2 is highly resistant to oxidation, providing extended lubrication intervals whilst reducing equipment failure, downtime and lubricant usage.
- Excellent corrosion resistance to protect in humid, damp and even wet conditions.
- Outstanding high speed performance for most applications found in industry.
- PTFE has an extremely low coefficient of friction and its inclusion in SAPPHIRE Advance 2 reduces stick-slip on start-up ensuring a smooth controlled movement.

Directions for Storage and Use

- Prime the mounting point with SAPPHIRE Advance 2 prior to fitting the Autolube.
- Set the correct timing as explained later in this document.
- When the unit is ready to be attached to the lubrication point press the SET button on the top as explained later in this document.
- Screw the unit into an R1/4 (¼ BSP) female fitting attached to the lubrication point immediately.
- The storage temperature should be controlled between +1°C and +40°C.
- Shelf life is 3 years from date of manufacture.

Typical Applications

SAPPHIRE Advance 2 is designed for all types of ball, roller and plain bearings found in all types of industrial applications. Particularly suitable for high speed bearings and high load conditions.

It is ideal for all industries where a truly versatile high performance lubricant is required such as steelworks, water treatment, quarries, mining, marine, docks, agriculture, construction, textile, brick and tile works and most other industries.

SAPPHIRE Advance 2 excels in applications such as electric motors, oven and refrigeration fans, robots, mechanical handling, palletisers and similar applications where bearings, pins, bushes, slides etc. are subjected to extreme conditions.

Pack Sizes

| Pack Size | Part Code |
|---------------------------|-----------|
| Complete Autolube - 120ml | 12604 |
| Refill ONLY – 120ml | 12600 |

T +44 (0) 113 232 2600
F +44 (0) 113 232 2740
E customer-service@rocol.com
www.rocol.com

ROCOL House, Swillington, Leeds LS26 8BS

Registered Company No. 559693 VAT No. 742 0531 67
Registered Office: Admiral House, St Leonard's Road, Windsor, Berkshire SL4 3BL

ROCOL A division of *ITW* Ltd



SAPPHIRE® Autolube

Multi-purpose bearing grease in an automatic lubricator

| Property | Test Method | Result |
|-------------------------------|---------------------|------------------------------|
| Appearance | Visual | Smooth brown grease |
| NLGI No. | IP 50 – ASTM D217 | 2 |
| Base Type | N/A | Severely refined mineral oil |
| Base Fluid Viscosity at 40°C | IP71 – ASTM D445 | 145cSt |
| Base Fluid Viscosity at 100°C | IP71 – ASTM D445 | 15cSt |
| Thickener | N/A | Lithium complex soap |
| Solids | N/A | PTFE |
| Temperature Range | N/A | -30°C to +160°C |
| 4-Ball Weld Load | IP 239 – ASTM D2596 | 560kg |
| 4-Ball Mean Hertz Load | IP 239 – ASTM D2596 | 93kg |
| Water Washout Test | IP 215 – ASTM D1264 | <2% |
| Copper Corrosion Test | IP 112 – ASTM D130 | 1b |
| Diameter of Autolube complete | N/A | 75mm (3 inches) |
| Length of Autolube complete | N/A | 178mm (7 inches) |

Values quoted above are typical and do not constitute a specification.

Safety Data Sheets

Safety data sheets are available for download from our website www.rocol.com or may be obtained from your usual ROCOL contact.

The information in this publication is based on our experience and reports from customers. There are many factors outside our control or knowledge which affect the use and performance of our products, for which reason it is given without responsibility.

Issue: 4 Date: 05-14

T +44 (0) 113 232 2600
 F +44 (0) 113 232 2740
 E customer-service@rocol.com
www.rocol.com

ROCOL House, Swillington, Leeds LS26 8BS

Registered Company No. 559693 VAT No. 742 0531 67
 Registered Office: Admiral House, St Leonard's Road, Windsor, Berkshire SL4 3BL

ROCOL A division of **ITW** Ltd



FM 12448



EMS 67596



OHS 78173



Performance you can trust

TECHNICAL DATA FOR ROCOL SAPPHIRE AUTOLUBE

SETTING THE DISPENSING PERIOD

A simple calculation can aid selection:

Select a factor considering any adverse conditions ie... Dust, water, loading, vibration etc...

| SEVERITY OF OPERATING CONDITIONS | FACTOR |
|----------------------------------|--------|
| MEDIUM | 10 |
| HEAVY | 15 |
| VERY HEAVY | 20 |

Add the factor to the bore of the bearing (in millimetres) ie. 15 + 25mm bore = 40

Read the lubrication interval from the chart below:

| SUM OF BEARING BORE IN mm PLUS OPERATING CONDITION FACTOR | LUBRICATION INTERVAL |
|--|----------------------|
| | SAPPHIRE Autolube |
| < 50 | 12 months |
| 50 – 70 | 6 months |
| 70 – 100 | 3 months |
| 100 – 135 | 1 month |
| > 135 | Consult ROCOL |

ADDITIONAL INFORMATION:

| SAPPHIRE settings (months) | 1 | 3 | 6 | 12 |
|-------------------------------------|------|------|------|------|
| ml/day dispensed | 4.00 | 1.33 | 0.67 | 0.33 |
| Approx. hours between 0.56 ml shots | 3.5 | 10 | 20 | 40 |

N.B. A standard grease gun dispenses approx. 1gm (1ml) per shot. (Volume-approx. 1 cm³)

Issue: 4 Date: 05-14

T +44 (0) 113 232 2600
F +44 (0) 113 232 2740
E customer-service@rocol.com
www.rocol.com

ROCOL House, Swillington, Leeds LS26 8BS

Registered Company No. 559693 VAT No. 742 0531 67
Registered Office: Admiral House, St Leonard's Road, Windsor, Berkshire SL4 3BL

ROCOL A division of *ITW* Ltd



Technical Data

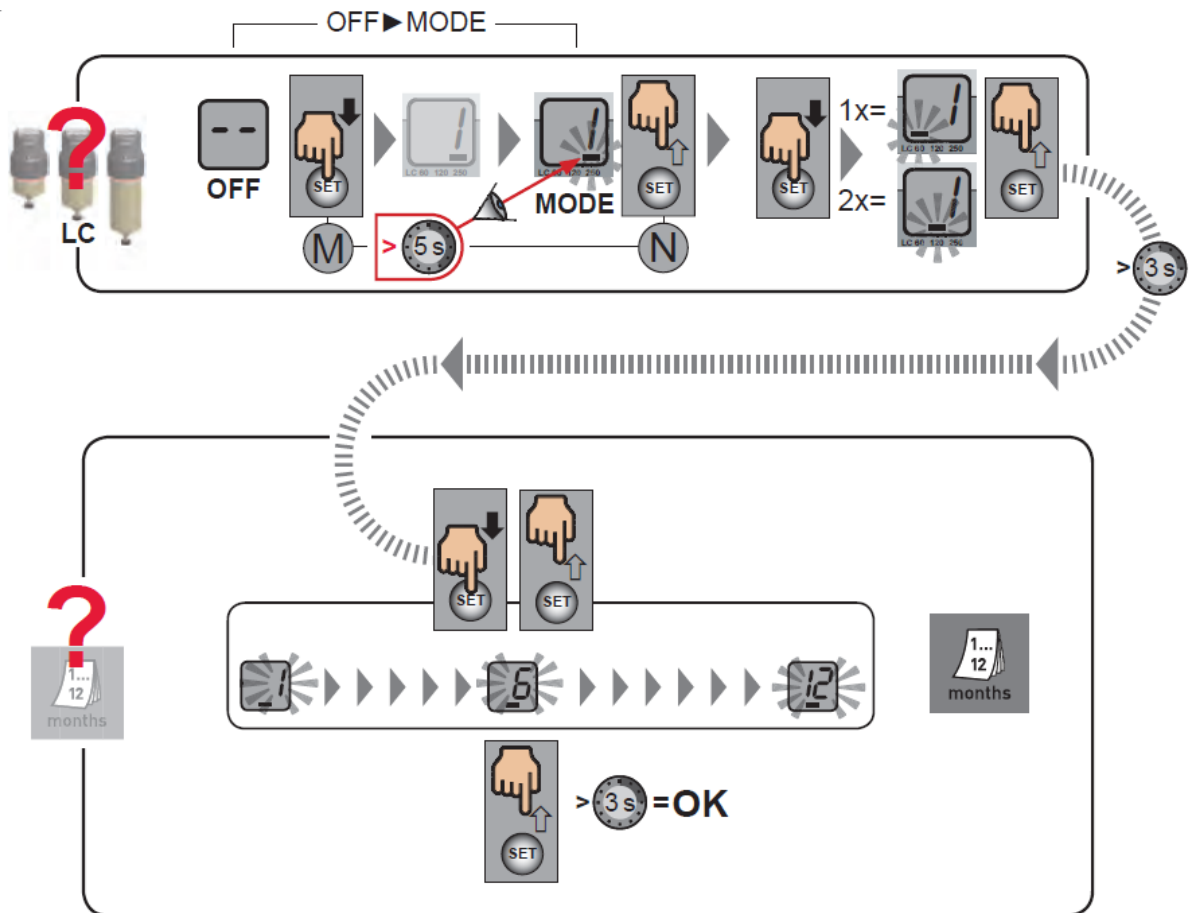


Performance you can trust



Insert batteries

Display: --



Issue: 4 Date: 05-14

T +44 (0) 113 232 2600
 F +44 (0) 113 232 2740
 E customer-service@rocol.com
www.rocol.com

ROCOL House, Swillington, Leeds LS26 8BS

Registered Company No. 559693 VAT No. 742 0531 67
 Registered Office: Admiral House, St Leonard's Road, Windsor, Berkshire SL4 3BL

ROCOL A division of *ITW* Ltd



TECHNICAL DATA FOR ROCOL SAPPHIRE AUTOLUBE

SPECIFICATIONS

The ROCOL SAPPHIRE Autolube is an electromechanical, reusable, automatic lubricator

The ROCOL SAPPHIRE Autolube is filled with SAPPHIRE Advance

Autolube mounting is an R1/4 (¼ BSP) male thread

Dispensing – 0.56 ml each operating cycle

Capacity – 120 ml per cartridge

Non-refillable cartridge. Thread is destroyed when empty

Temperature range of the Autolube unit is -10°C to +60°C with a constant discharge pressure

Pressure builds up to 6 bar allowing remote mounting with 6mm bore nylon tubing up to 5 mtr away

The ROCOL SAPPHIRE Autolube is manufactured to IP65 (Not for submerged applications)

The ROCOL SAPPHIRE Autolube is not classified as intrinsically safe

All around visible LED lights signal functions and errors

The unit can be switched off

Drive unit can be reused – Replacement cartridges are supplied with new batteries

Issue: 4 Date: 05-14

T +44 (0) 113 232 2600
F +44 (0) 113 232 2740
E customer-service@rocol.com
www.rocol.com

ROCOL House, Swillington, Leeds LS26 8BS

Registered Company No. 559693 VAT No. 742 0531 67
Registered Office: Admiral House, St Leonard's Road, Windsor, Berkshire SL4 3BL

ROCOL A division of *ITW* Ltd



FM 12448



EMS 67596



OHS 78173

